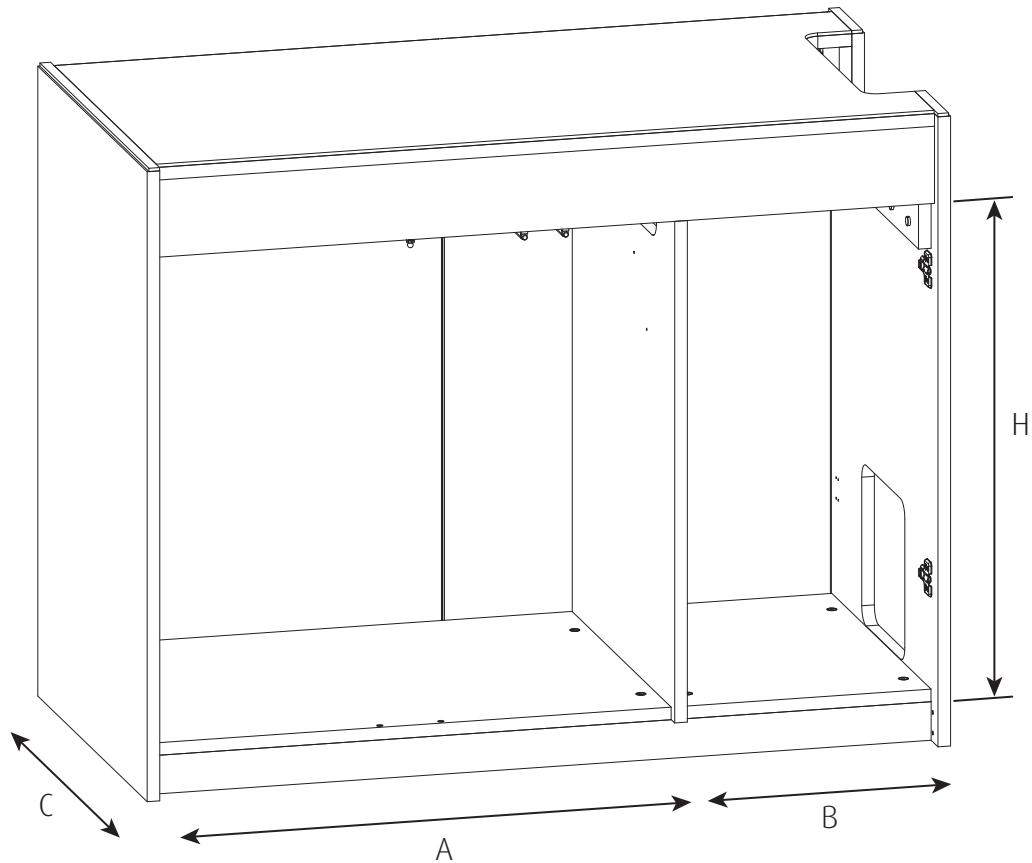


Red Sea REEFER™

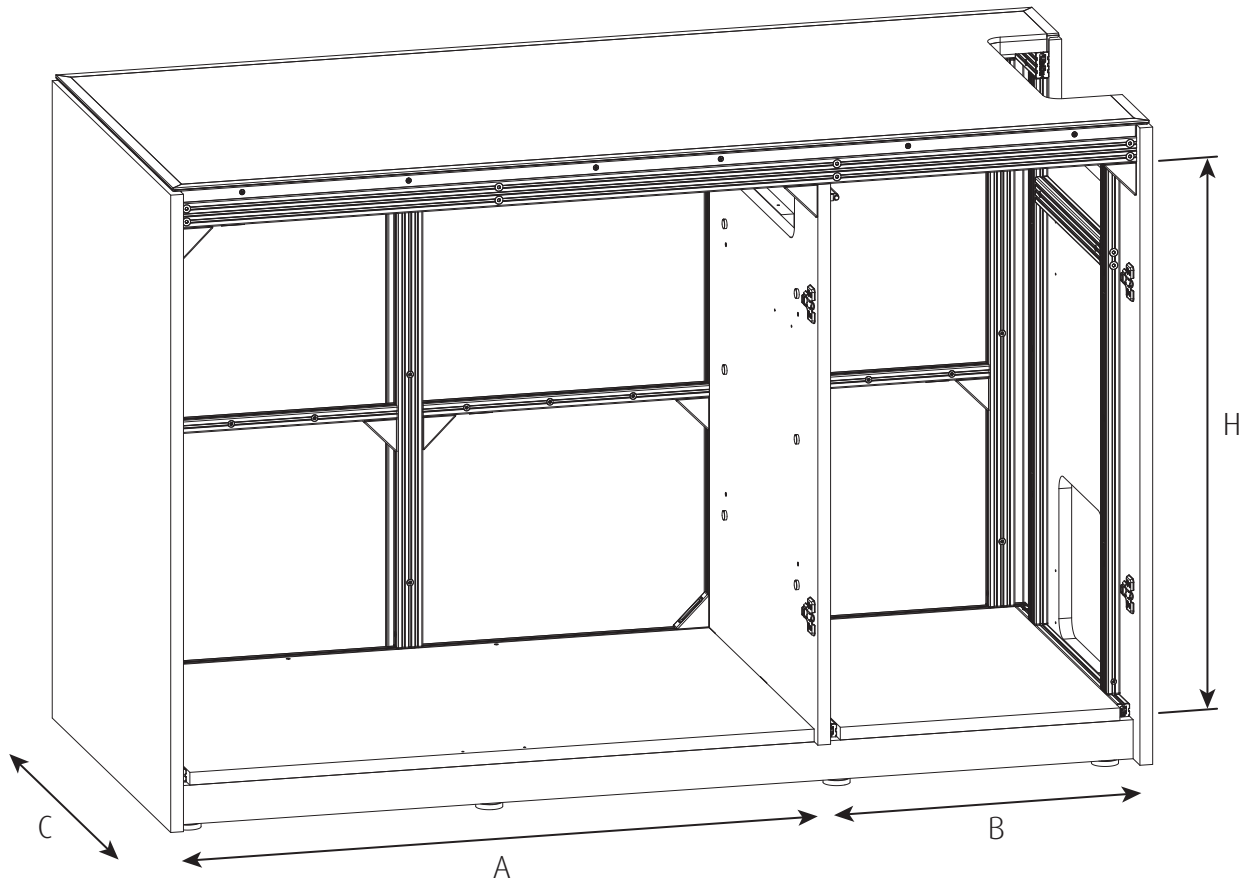
Peninsula 350 G2+/500 G2+



	P350 G2+	P500 G2+
Sump Compartment "A"	58cm/ 22 53/64"	80.6cm/ 31 47/64"
Chiller Compartment "B"	32cm/ 12 19/32"	38.4cm/ 15 1/8"
Depth (rear wall to door) "C"	59.5cm/ 23 27/64"	59.5cm/ 23 27/64"
Height (Cabinet floor to Top header) "H"	76 cm/ 29 59/64"	76 cm/ 29 59/64"

Red Sea REEFER™

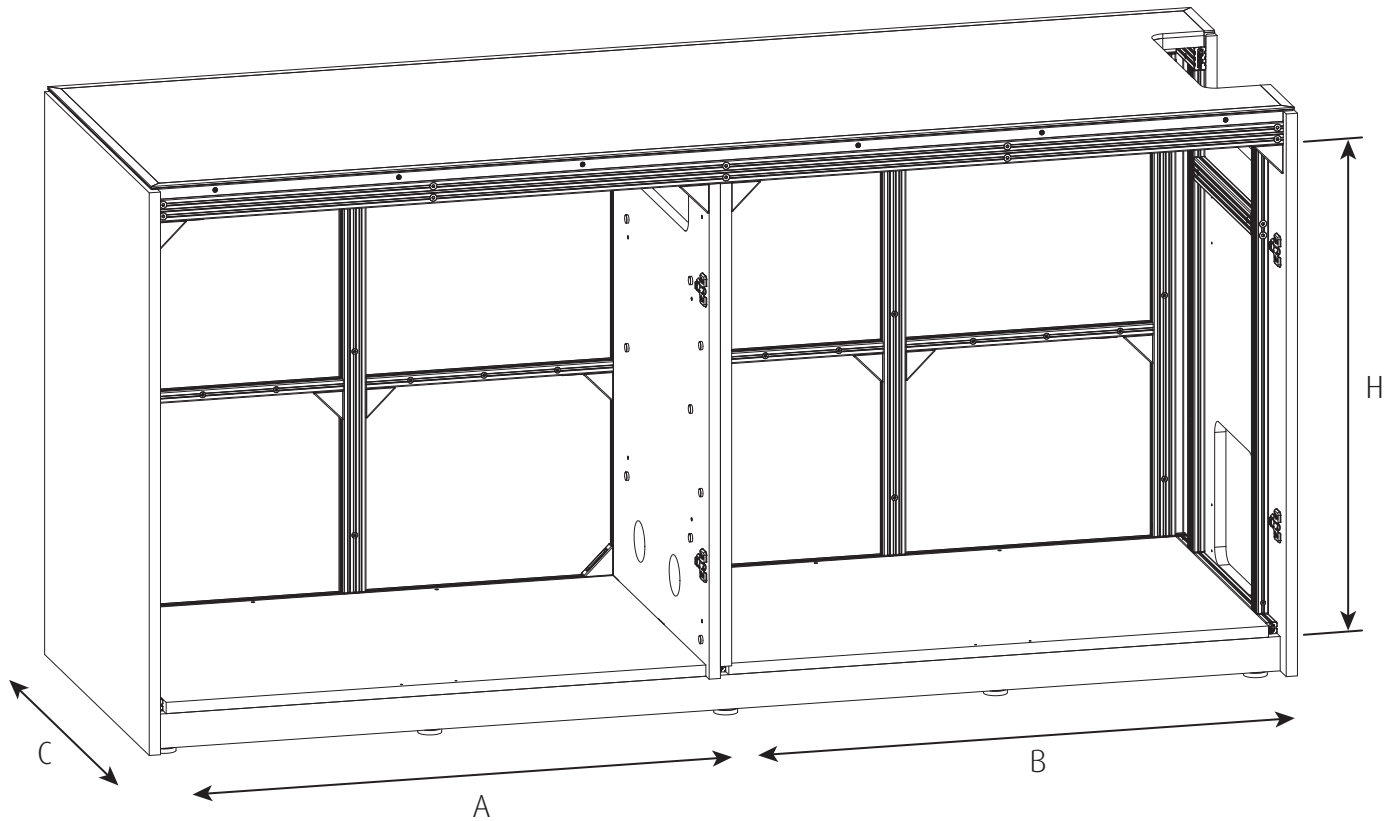
Peninsula S-700 G2+



	PS700 G2+
Sump Compartment "A"	96cm / 37 51/64"
Chiller Compartment "B"	43cm / 16 59/64"
Depth (rear wall to door) "C"	62.2cm/ 24 31/64"
Height (Cabinet floor to Top header) "H"	84.2cm / 33 5/32"

Red Sea REEFER™

Peninsula S-950 G2+



	PS950 G2+
Sump Compartment "A"	94cm / 37 1/64"
Chiller Compartment "B"	94cm / 37 1/64"
Depth (rear wall to door) "C"	62.2cm/ 24 31/64"
Height (Cabinet floor to Top header) "H"	84.2cm / 33 5/32"